

TUB DIVERTER BATHCOCK

Cat. No.
4073



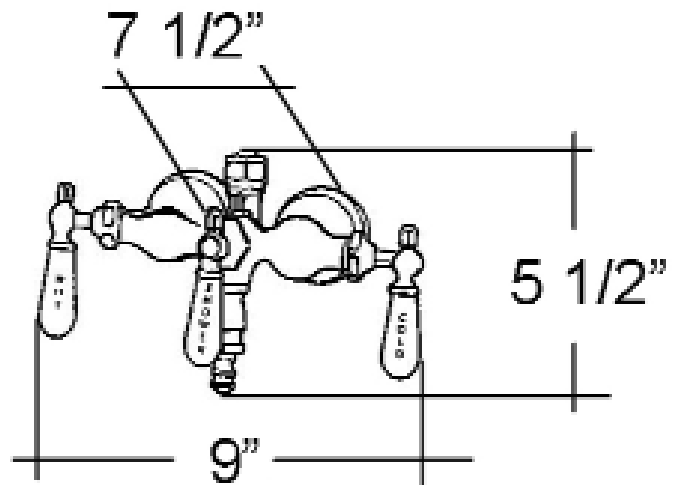
L: 5-1/2"
W: 9"
D: 7-1/2"

Features:

- ▶ Brass Construction
- ▶ Old Style Spigot
- ▶ 1/4 Turn ceramic disc cartridges
- ▶ Porcelain lever handles
- ▶ Flow rate is 3.34 GPM
- ▶ 3-3/8" Centers
- ▶ Centers can be adjusted out to 9" with use of part #4501 (Swivel arms)
- ▶ F 3/8" Riser connection
- ▶ 3/4" Nipples
- ▶ Acrylic tub use Only
- ▶ Available in 5 finishes
- ▶ Riser cap not available
- ▶ IAPMO approved
- ▶ For cast iron tubs use **Part# 4072**
- ▶ To be use with double offset bath supplies **Part# 5576**

Finishes:

CP Polished Chrome PN Polished
PB Polished Brass SN Brushed Nickel
ORB Oil-Rubbed Bronze



Dimensions are nominal and may vary. Dimensions and specifications subject to change without notice.